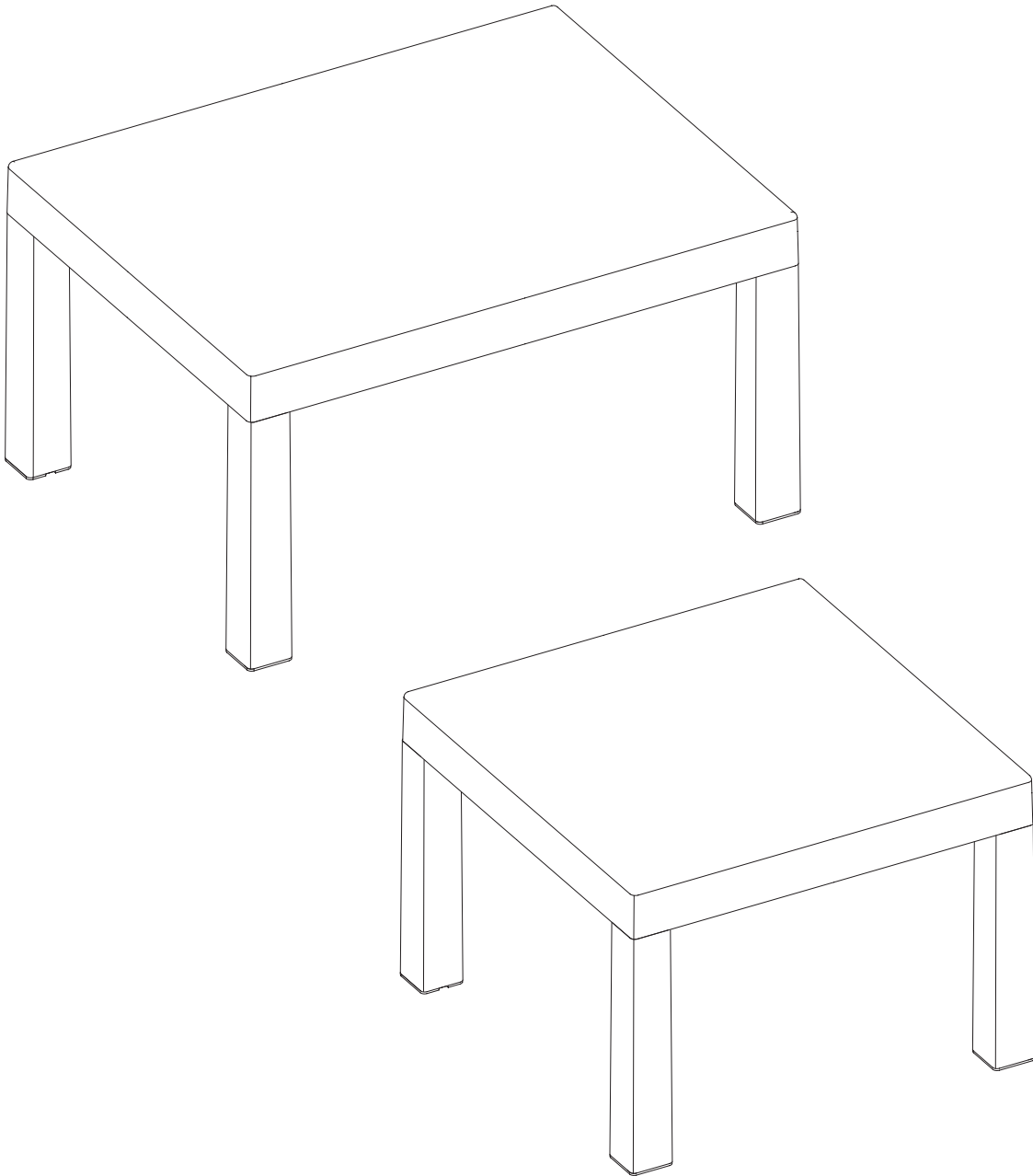


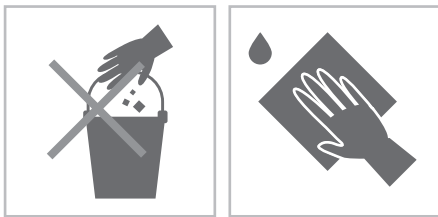
**TOOMAX**<sup>®</sup>

**PENELOPE - MATILDE  
LEDA - LAVINIA**

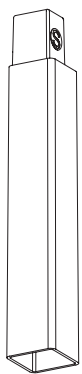




EN-581

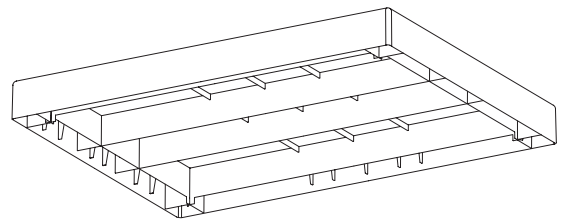


S



PZ / PCS 4

T



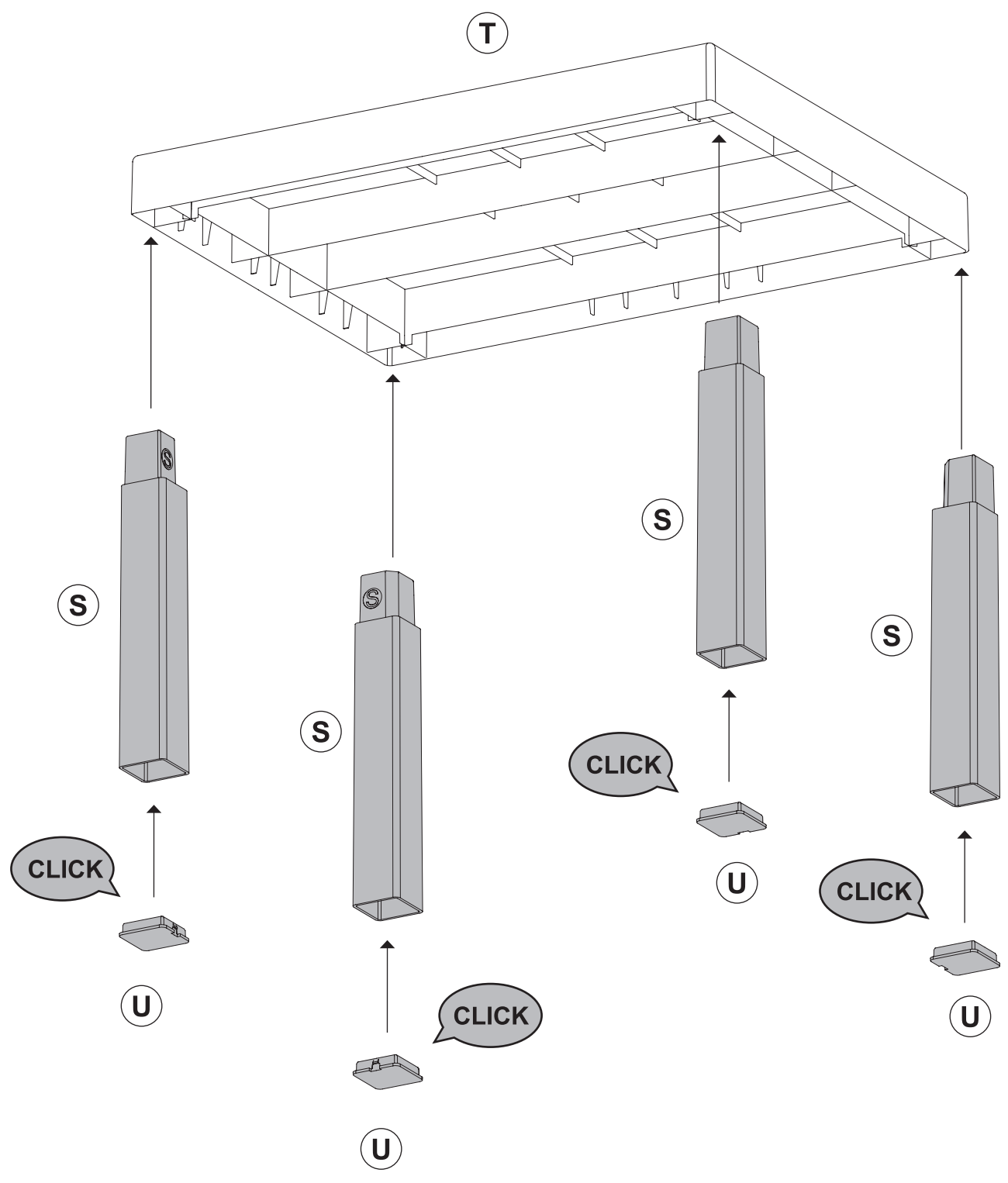
U



PZ / PCS 4

PZ / PCS 1

1





**Plastmeccanica S.p.A.**

Viale del Lavoro, 3

60030 Castelfellino (An) - ITALY

Tel. +39 0731 70766 - Fax +39 0731 703796

[info@plastmeccanica.it](mailto:info@plastmeccanica.it)



[www.toomax.it](http://www.toomax.it)

4600001